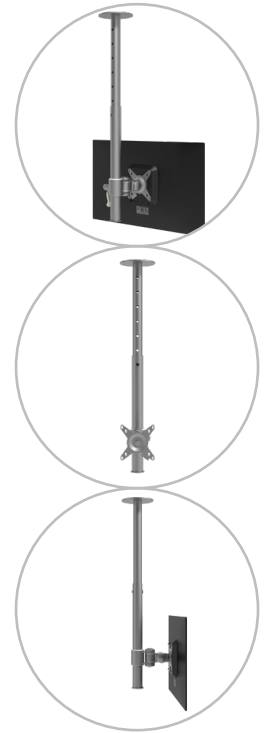
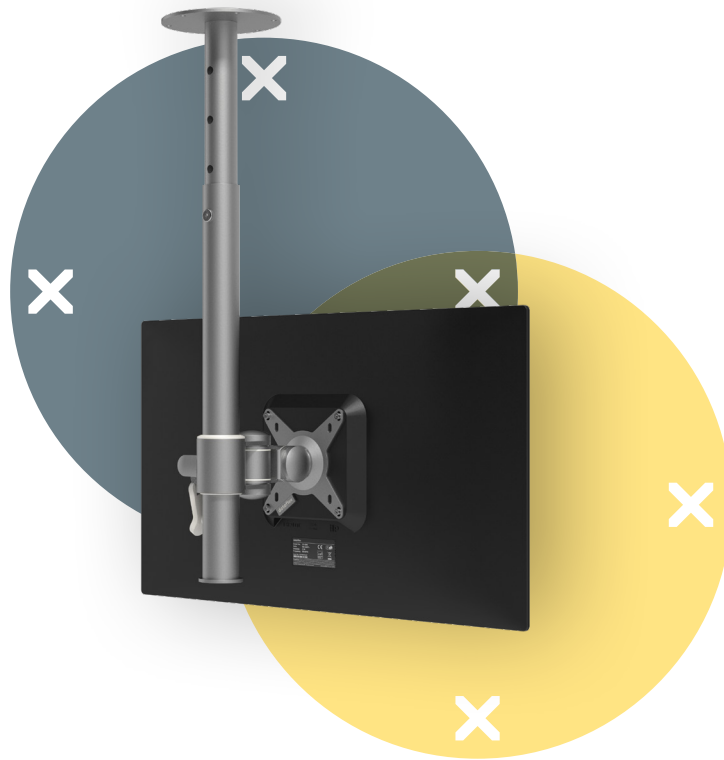


viewmate

Warranty



52.562

Viewmate monitor arm - ceiling 562

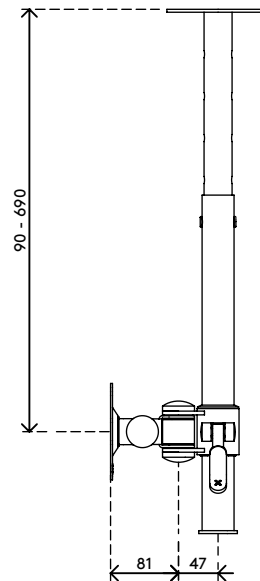
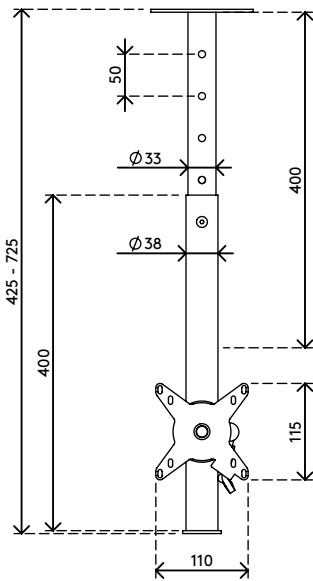
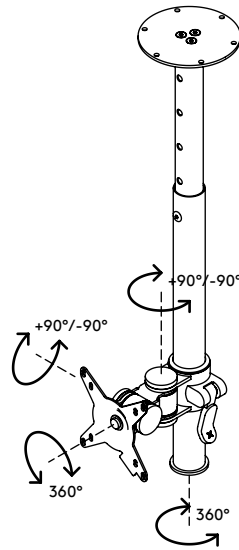
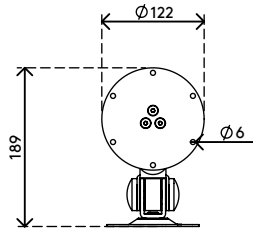
Use this ceiling mount to attach one flat screen monitor to a ceiling. Used for terminals, information points, point of sale systems etc. One of seven height presets can be set during installation. Afterwards, the height is easily adjusted and fine-tuned using the clamp lever.

- Static height adjustment range of 600 mm (23,6")
- Fixed depth
- Main components made of steel
- VESA MIS-D 75 x 75/100 x 100 mm compatible
- Monitor: tilt +90°/-90°, swivel +90°/-90°, rotate 360°
- Weight capacity max. 15 kg (33 lb) per monitor
- Comes with a ceiling mount
- Monitor size limit: height 1104 mm (43,5")
- Easy to adjust in height using a clamp lever
- Comes with all necessary fasteners

dataflex 

feeling at work

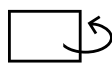
viewmate ^x



600 mm (23,6")



+90°/-90°



+90°/-90°



360°



1104 mm (43,5")



75 x 75/100 x 100




15 kg (33 lb)

Viewmate monitor arm - ceiling 562

2020/10/06


52.562

 440 x 170 x 135 mm

 1 pcs

 silver

 2,9 kg

 805410525620