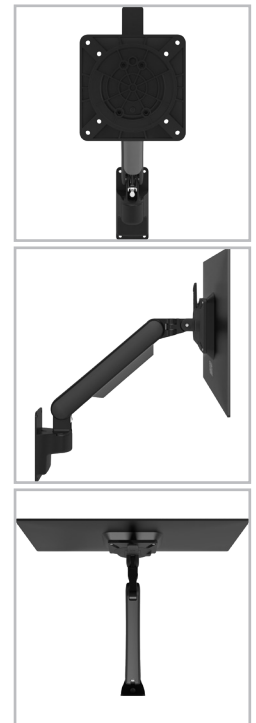
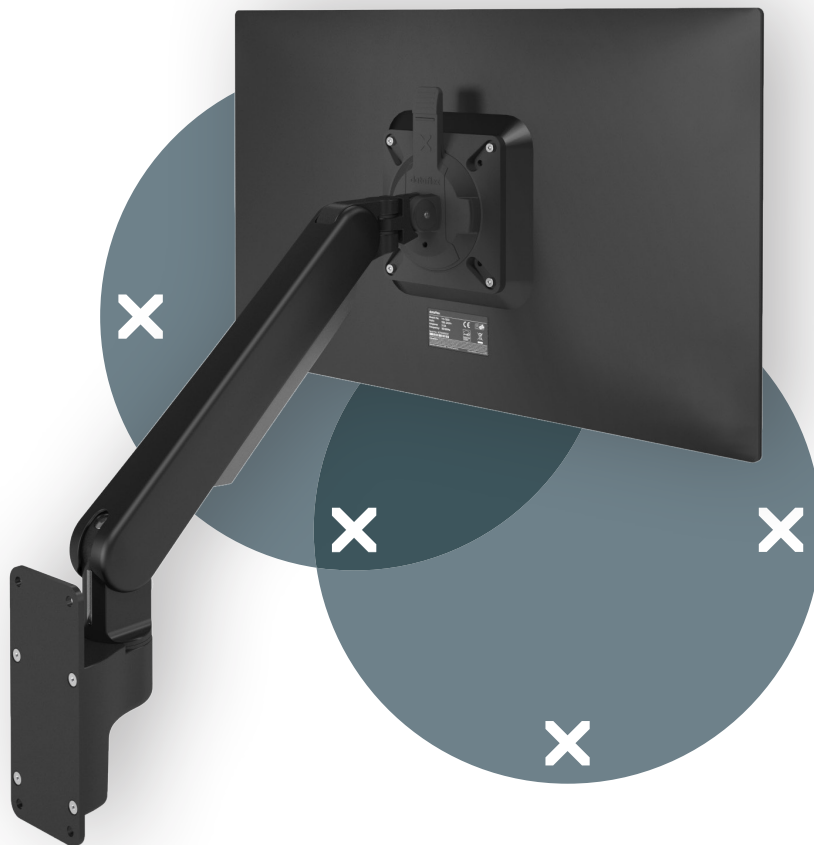


# viewprime <sup>x</sup>

Certified  Corporation  
Warranty  15 years



65.313

## Viewprime plus monitor arm – wall 313

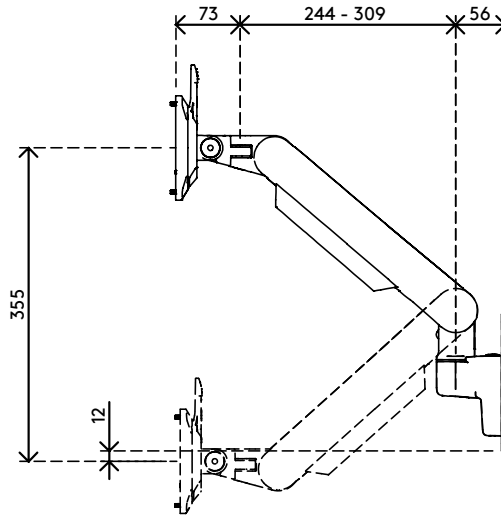
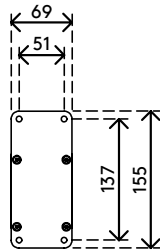
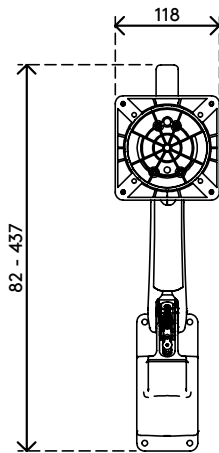
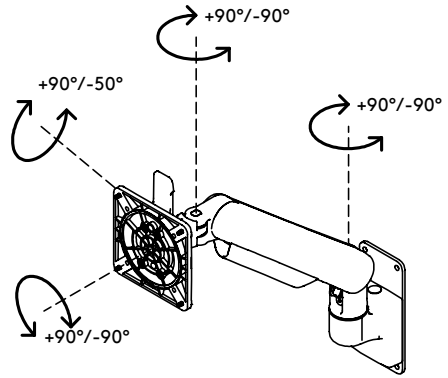
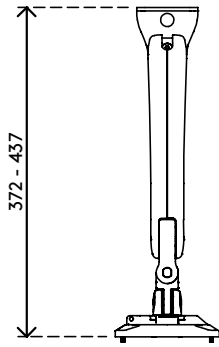
Optimize workspace with this wall-mounted monitor arm. Easy to use and can be placed virtually anywhere thanks to the swivel lock that eliminates the chance of bumping into walls or desks. Cables are neatly hidden in the monitor arm for a professional look.

- Dynamic height adjustment range of 355 mm (14,0")
- Depth adjustment of 309 mm (12,2")
- Comes with a wall mount
- Capable of portrait and landscape orientation ( $\pm 90^\circ$  VESA rotation)
- Built-in gas spring
- Tension adjustment indicator for fast and precise installation
- Integrated cable management
- Quick release included
- VESA MIS-D 75 x 75/100 x 100 mm compatible
- Monitor: tilt  $+90^\circ/-50^\circ$ , swivel  $\pm 90^\circ$ , rotate  $\pm 90^\circ$
- Arm: Swivel lock of arm set at  $+90^\circ/-90^\circ$  (can be switched off)
- Weight capacity 1,5 - 9 kg (3,3 - 19,8lb.) per monitor

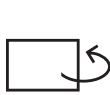
**dataflex** <sup>x</sup>

feeling at work

# viewprime <sup>x</sup>



+90°/-50°



+90°/-90°



360°



75 x 75/100 x 100



1,5 - 9 kg (3,3 - 19,8 lb)

Viewprime plus monitor arm – wall 313


2023/08/25


# 65.313

 595 x 185 x 135 mm

 1 pcs

 black

 2,64 kg

 805410653132