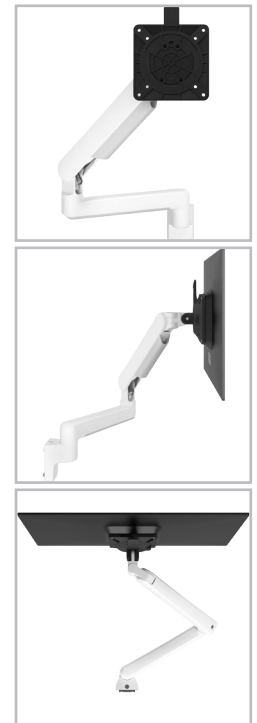


viewprime ^x

Certified  Corporation
Warranty 
15 years



65.520

Viewprime plus monitor arm – rail 520

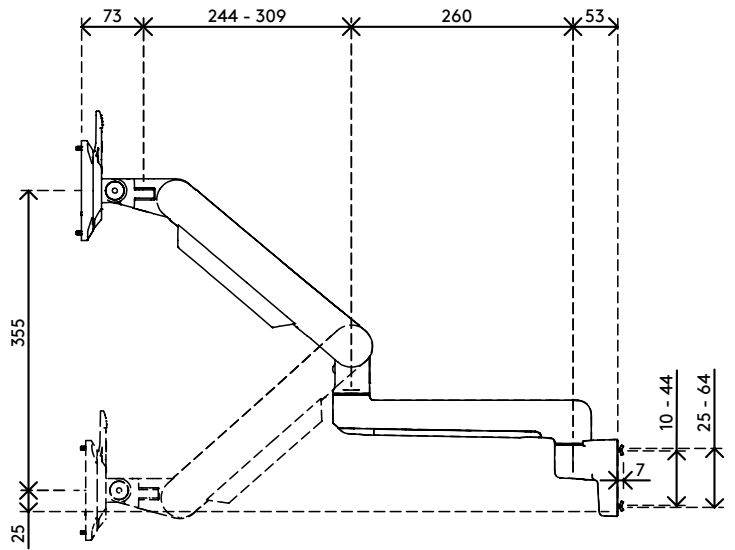
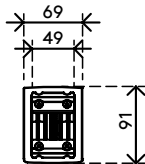
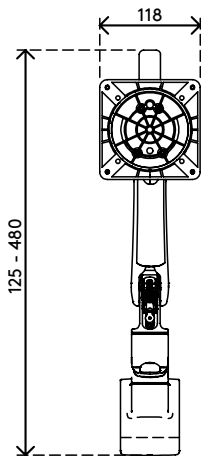
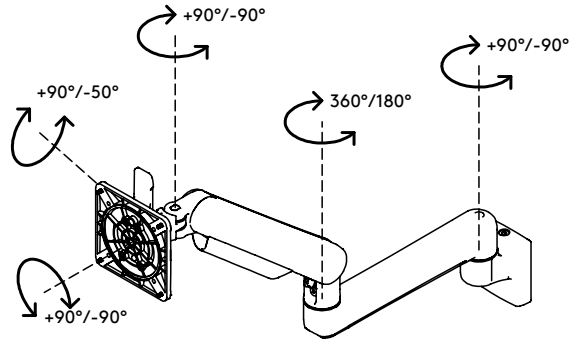
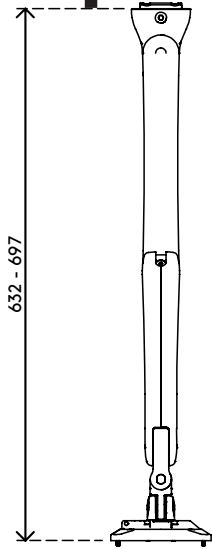
Free up desk space with this monitor arm that attaches to a slat rail/wall or toolbar gas-sprung monitor arm. The two extensions make this an ideal solution for a deep desk surface because the depth of the monitors can be adjusted independently. Cables are neatly hidden in the monitor arm for a professional look.

- Dynamic height adjustment range of 355 mm (12,2")
- Independent depth adjustment of 569 mm (22,4")
- Comes with a rail mount
- Capable of portrait and landscape orientation ($\pm 90^\circ$ VESA rotation)
- Built-in gas spring
- Tension adjustment indicator for fast and precise installation
- Integrated cable management
- Quick release included
- VESA MIS-D 75 x 75/100 x 100 mm compatible
- Monitor: tilt $+90^\circ/-50^\circ$, swivel $\pm 90^\circ$, rotate $\pm 90^\circ$
- Arm: Swivel lock of arm set at $+90^\circ/-90^\circ$ (can be switched off)
- Weight capacity 1,5 - 9 kg (3,3 - 19,8lb.) per monitor

dataflex^x

feeling at work

viewprime ^x



+90°/-50°



+90°/-90°



360°



75 x 75/100 x 100



1,5 - 9 kg (3,3 - 19,8 lb)

Viewprime plus monitor arm – rail 520

2023/08/28

65.520

595 x 185 x 135 mm

1 pcs

white

3,1 kg

805410655204