

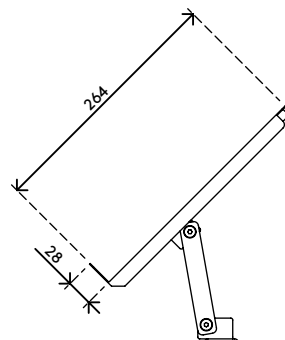
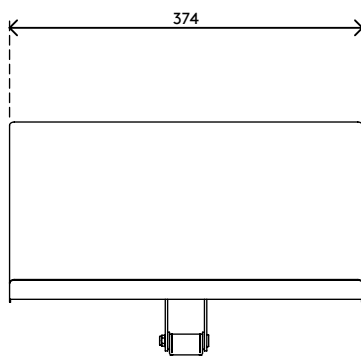
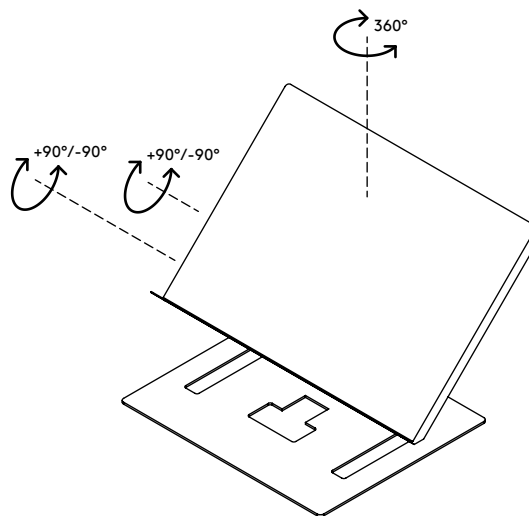
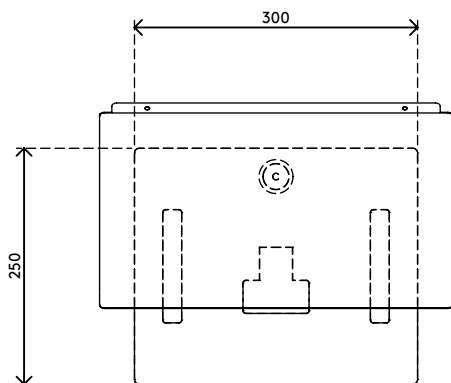


97.402

Addit document holder - adjustable 402

Adjustable in height, depth and angle, this document holder comes with a magnetic ruler and copes with documents, books, folders, dossiers etc. up to an A3 size. Its steel construction is sturdy enough to provide a stable platform for heavier books.


- Suitable for documents/books/folders/dossiers etc. up to A3 size
- Aligns documents and monitor in a straight line, preventing eye fatigue and neck strain
- Saves desk space
- Adjustable height, depth and angle
- Made of steel
- With magnetic line guider




Addit document holder - adjustable 402


2020/10/06


97.402

 410 x 310 x 85 mm

 1 pcs

 silver

 3,5 kg

 805410974022