

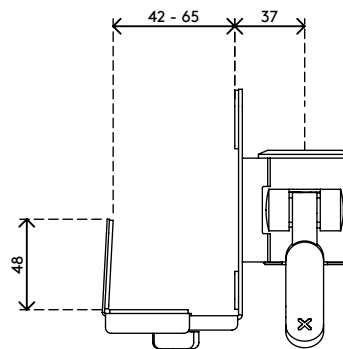
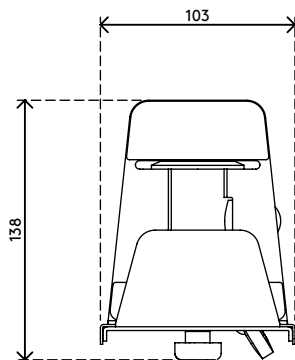
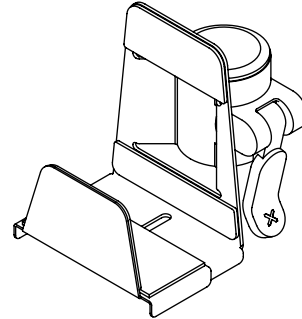
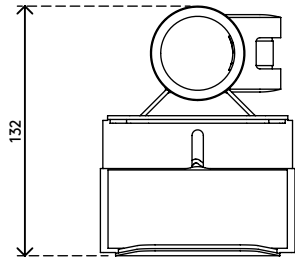
52.422

Viewmate thin client holder - option 422

The Viewmate thin client holder adds functionality to monitor arms, workstations and toolbars. It's mounted on any pole in the Viewmate range and has clamp-lever height adjustment, so your thin client is always within reach.

- Suitable for all Viewmate monitor arms, workstations and toolbars
- Easy to adjust in height using a clamp lever
- Max. weight capacity of 7 kg
- Fits devices with a thickness of 42 - 65 mm and max. height of 300 mm
- Clamps a thin client with a non-slip foam surface for snug mounting

viewmate



vertical



42 - 65 mm (1,7 - 2,6")



max. 300 mm (11,8")




7 kg

Viewmate thin client holder - option 422


2017/05/08

52.422

 145 x 125 x 115 mm

 1 pcs

 silver

 0,76 kg

 805410996048