

# Viewprime desk clamp - mount 920

At Dataflex, we care about the environment. That is why we created this ecosheet. In it we give an accurate overview of the environmental footprint of this product and how we can reduce it together through recycling.



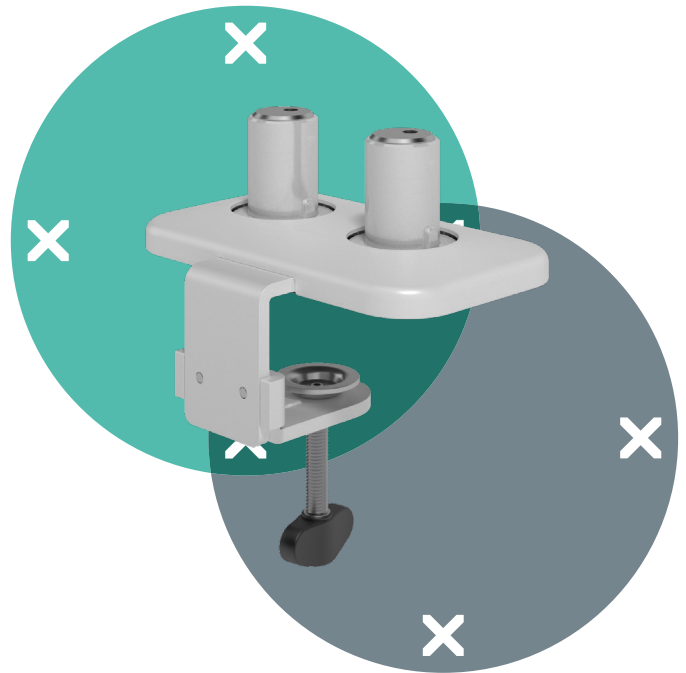
## Global Warming Potential (GWP)

The environmental footprint of this Dataflex product is calculated in terms of Global Warming Potential (GWP), which is the impact the product has on climate change in kg CO<sub>2</sub> equivalent.



## Kilometers by car

To further clarify the GWP in a way that everyone can understand, we created the 'average car equivalent'.\*



## Environmental footprint



Without recycling



**10,47** kg CO<sub>2</sub>



**32,88** km



With recycling



**7,58** kg CO<sub>2</sub>



**23,80** km



## You can contribute!

If you would like to have a positive impact on the environment and reduce your carbon footprint, please contact us for information on our recycling agreement options. [recycle@dataflex-int.com](mailto:recycle@dataflex-int.com)

## Environmental footprint explained

The lifespan of a product consists of several phases. The production phase (A1 - A3), Installation (A4 - A5), use (B) and disposal (C). Recycling is added as phase D. We have calculated the impact (GWP) of our products in all these phases, to come to the impact scores you see on the front of the eco sheet. The tables underneath show the GWP of every phase separately.

### Product composition (A1)

In this table we show the composition of the product and the GWP per type of material.

	Steel	Aluminium	Plastic	Wood / rubber	Paint / coating / glue	Packaging / manuals	Product - A1
Weight (g)	2065,00	0,00	114,60	0,00	5,50	227,00	2412,10
% of total weight	86,00	0,00	5,00	0,00	0,00	9,00	100,00
GWP (kg CO <sub>2</sub> eq.)	8,72	0,00	0,64	0,00	0,20	0,33	9,89

### Production (A1 - A3)

Production of the product, transport to Dataflex and Processes at Dataflex make up the total production phase.

	Product- A1	Transport to Dataflex - A2	Dataflex processes - A3	Production A1 - A3
GWP (kg CO <sub>2</sub> eq.)	9,89	0,28	0,00	10,16

### Product life (A - C)

The rest of the lifespan of a dataflex product.

	Production A1 - A3	Transport to client - A4	Installation (materials) - A5	Use - B	Waste processing / disposal - C	Total lifespan A-C (no recycling)
GWP (kg CO <sub>2</sub> eq.)	10,16	0,00	0,00	0,00	0,31	10,47

### Recycling (A-D)

With recycling we can drastically reduce the environmental footprint of a product.

	Total lifespan A-C (no recycling)	Recycling - D	Total lifespan A-D (with recycling)
GWP (kg CO <sub>2</sub> eq.)	10,47	-2,90	7,58

## Contact

For any questions or remarks, please feel free to contact our Quality, Health & Safety and Environment department at [qhse@dataflex-int.com](mailto:qhse@dataflex-int.com) [www.dataflex-int.com](http://www.dataflex-int.com)

The calculations to create this ecosheet were performed in cooperation with Ecochain BV

[www.ecochain.com](http://www.ecochain.com)

This Ecosheet is a brief synopsis of LCA information disclosed by Dataflex. Full Environmental Product Declarations (EPD's) are available for selected products.

\* 1 kg CO<sub>2</sub> eq. is equal to 3.14 km with the average car (source: Ecoinvent 3.2).